

## Incredible Performance with ASUS Design!!

### ASUS Exclusive Innovations

#### ■ **Dual-ball bearing fan**

##### 2X longer lifespan

Without the problem of oil drying common in sleeve-bearing fans, the dual-ball bearing fan lasts 2X longer. With reduced friction, it also runs smoother, further improving card lifespan and cooling efficiency.



#### ■ **AUTO-EXTREME TECHNOLOGY with Super Alloy Power II**

##### Premium Aerospace-grade Quality and Reliability

ASUS graphics cards are produced using AUTO-EXTREME TECHNOLOGY, an industry-first 100% automated production process, and feature aerospace-grade Super Alloy Power II components for unsurpassed quality and reliability.



#### ■ **GPU Tweak II with XSplit Gamecaster**

##### Tweak Till your Heart's Content

With an intuitive new UI, GPU Tweak II makes overclocking easier than ever, and features Game Booster to maximize graphics performance and XSplit Gamecaster to stream or record your gameplay.



## ASUS Features

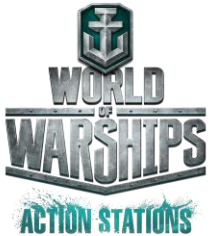
**4GB**  
Memory

**GDDR5**

- **Gigantic 4GB GDDR5 Memory:**  
On-board memory for the best gaming experience & the best resolution

**Unplugged**  
only motherboard power needed

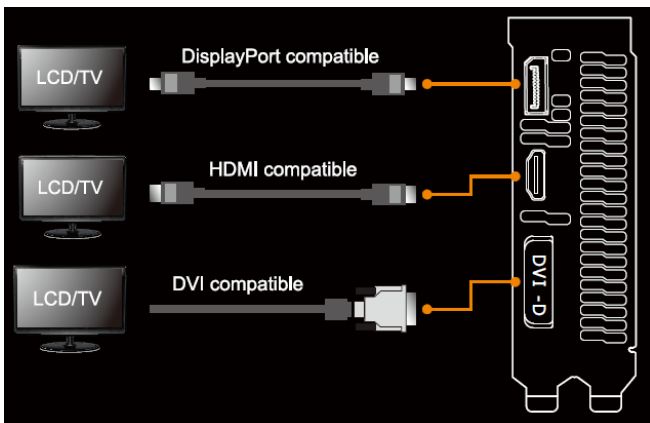
- **Unplugged:**  
Unplugged benefits graphics card to upgrade using only motherboard power.



- **World of warships:**  
The Diana Cruiser and 15-day premium account

\* Please stay tuned on [www.asus.com/event/](http://www.asus.com/event/) for details.

## I/O Specifications



## Graphics GPU Features



- **NVIDIA® GPU Boost 2.0**  
Technology for intelligent monitoring of clock speed, ensuring that the GPU runs at its peak and the game is at its highest frame rate possible. It offers new levels of customization, including GPU temperature target, overclocking, and unlocked voltage.



- **NVIDIA® Adaptive V-Sync :**  
NVIDIA Adaptive Vertical Sync adjusts V-Sync to current frame rates for maximum playability



- **NVIDIA® PhysX® ready:**  
Dynamic visual effects like blazing explosions, reactive debris, realistic water, and lifelike characters.



- **NVIDIA® 3D Vision™ Surround Ready:**  
Bring games to life with NVIDIA® Surround™ multi-monitor gaming on a single card



- **PCIe 3.0:**  
Delivers double the bandwidth per lane of PCIe Gen 2 for faster GPU – CPU communication

## Hardware Specification

Model	PH-GTX1050TI-4G
Graphics Engine	NVIDIA® GeForce® GTX1050 TI
Bus Standard	PCI Express® 3.0
OpenGL	OpenGL® 4.5
Video Memory	4GB GDDR5
GPU boost Clock	1392 MHz
GPU base Clock	1290 MHz
CUDA cores	768
Memory Clock	7008 MHz
Memory Interface	128 bit
Digital MAX Resolution	7680x4320
DVI Output	1x Native DVI-D
HDMI Output	1x Native HDMI 2.0
HDCP compliant	YES
DisplayPort	1x Native DisplayPort 1.4
Power connectors	No
Software Bundled	ASUS GPU Tweak II & Driver
Dimension	The card size is 19.2*11.1*3.7 cm The card size is 7.6*4.4*1.5 inches
Note	<ul style="list-style-type: none"> <li>● To have the best cooling performance, ASUS PH-GTX1050TI-4G extends the fansink to 2 slots. Please double check you Chassis and Motherboard dimension prior to purchase to make sure it fits in your system!</li> <li>● Note that the actual boost clock will vary depending on actual system conditions. For more information, please visit <a href="http://www.geforce.com/">http://www.geforce.com/</a></li> <li>● Specifications are subject to change without notice.</li> <li>● PCB color and bundled software versions are change without notice.</li> <li>● Brand and product names mentioned are trademarks of their respective company.</li> </ul>

